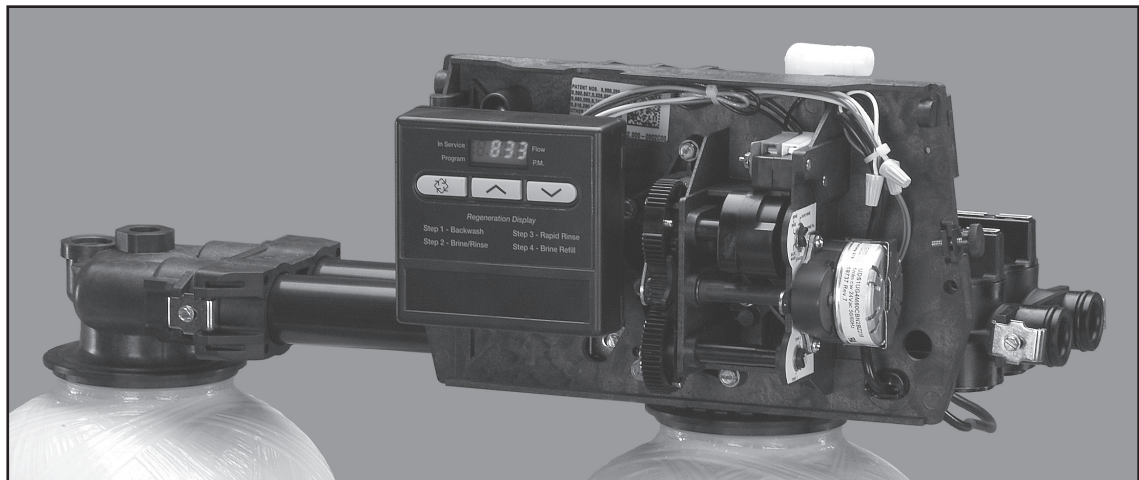


SE Timer

Supplemental Service Manual



IMPORTANT: Fill in Pertinent Information on Page 3 for Future Reference

Table of Contents

Job Specification Sheet	3
Timer Operation.....	4
Master Programming Mode Flow Chart.....	7
Master Programming Mode	9
2510/2750/2850 Timer Assembly	13
9000/9100/9500 Twin Tank Timer Assembly	14
3/4" Brass Paddle Meter Assembly (for 2500 Econominder).....	15
3/4" Plastic Paddle Meter Assembly (for 6600 Downflow).....	16
3/4" Plastic Turbine Meter Assembly	17
1" Brass Paddle Meter Assembly	18
Inline Plastic Meter Assembly.....	19
1 1/2" Brass Paddle Meter Assembly	20
3/4", 1", or 1 1/2" Paddle Wheel Meter Cap Assembly	21
2510SE Wiring Diagram.....	22
2750SE/2850SE Wiring Diagram	23
9000/9100/9500 Wiring Diagram.....	24
Troubleshooting - Timer.....	25
Service Assemblies	26



IMPORTANT PLEASE READ:

- The information, specifications and illustrations in this manual are based on the latest information available at the time of printing. The manufacturer reserves the right to make changes at any time without notice.
- This manual is intended as a guide for service of the valve only. System installation requires information from a number of suppliers not known at the time of manufacture. This product should be installed by a plumbing professional.
- This unit is designed to be installed on potable water systems only.
- This product must be installed in compliance with all state and municipal plumbing and electrical codes. Permits may be required at the time of installation.
- If daytime operating pressure exceeds 80 psi, nighttime pressures may exceed pressure limits. A pressure reducing valve must be installed.
- Do not install the unit where temperatures may drop below 32°F (0°C) or above 125°F (52°C).
- Do not place the unit in direct sunlight. Black units will absorb radiant heat increasing internal temperatures.
- Do not strike the valve or any of the components.
- Warranty of this product extends to manufacturing defects. Misapplication of this product may result in failure to properly condition water, or damage to product.
- A prefilter should be used on installations in which free solids are present.
- In some applications local municipalities treat water with Chloramines. High Chloramine levels may damage valve components.
- Correct and constant voltage must be supplied to the control valve to maintain proper function.

Job Specification Sheet

Please Circle and/or Fill in the Appropriate Data for Future Reference:

Programming Mode:

Volume Remaining _____ Gallons _____ Liters _____ Cubic Meters

Regeneration Time Delayed _____ AM or PM or Immediate

Regeneration Day Override (A) Off or Every _____ Days

Master Programming Mode:

Display Format (U) 1. U.S. Gallons 2. Liter 3. Cubic Meters

Regeneration Type (T) 1. Time Clock 2. Meter Immediate 3. Meter Delayed

Regeneration Cycle Step #1 _____ Minutes

Regeneration Cycle Step #2 Off or _____ Minutes

Regeneration Cycle Step #3 Off or _____ Minutes

Regeneration Cycle Step #4 Off or _____ Minutes

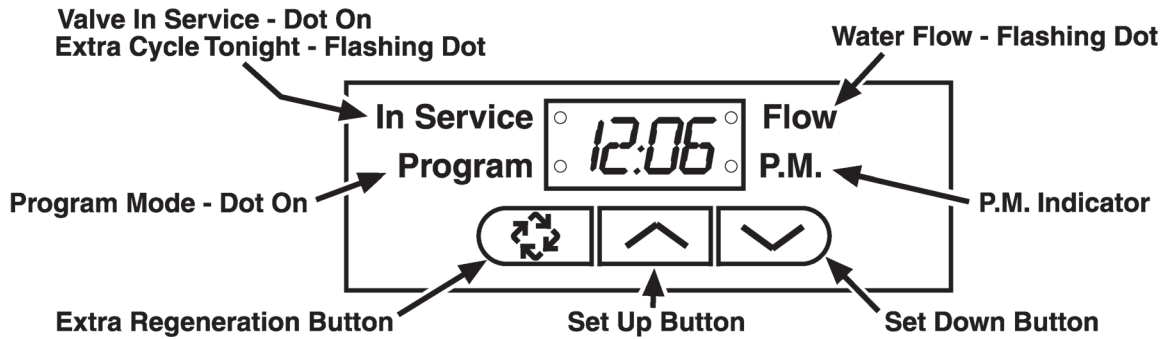
Regeneration Cycle Step #5 Off or _____ Minutes

Flow Meter Pulses (F) _____ Pulses

Valve Type (O) 1. 2510, 2750, 2850 2. 9000, 9100, 9500

Line Frequency 50 Hz or 60 Hz

Timer Operation



In normal operation the Time Of Day display alternates with the Volume Remaining and Tank in Service displays (9000, 9100, 9500 SE Timer only). As treated water is used, the Volume Remaining display counts down (in gallons) from a maximum value to zero or (---). Once this occurs a regeneration cycle initiates immediately or delayed to the set Regeneration Time. Water flow through the valve is indicated by the flashing Flow Dot Indicator.

Time Of Day	<table border="0"> <tr> <td style="padding-right: 5px;">In Service</td> <td style="text-align: center;">●</td> <td style="border: 1px solid black; padding: 5px; text-align: center;">12:00</td> <td style="text-align: center;">●</td> <td style="padding-left: 5px;">Flow</td> </tr> <tr> <td>Program</td> <td style="text-align: center;">○</td> <td></td> <td style="text-align: center;">○</td> <td>P.M.</td> </tr> </table>	In Service	●	12:00	●	Flow	Program	○		○	P.M.
In Service	●	12:00	●	Flow							
Program	○		○	P.M.							
833 Gallons of Treated Water Remaining	<table border="0"> <tr> <td style="padding-right: 5px;">In Service</td> <td style="text-align: center;">●</td> <td style="border: 1px solid black; padding: 5px; text-align: center;">833</td> <td style="text-align: center;">●</td> <td style="padding-left: 5px;">Flow</td> </tr> <tr> <td>Program</td> <td style="text-align: center;">○</td> <td></td> <td style="text-align: center;">○</td> <td>P.M.</td> </tr> </table>	In Service	●	833	●	Flow	Program	○		○	P.M.
In Service	●	833	●	Flow							
Program	○		○	P.M.							
0 Gallons of Treated Water Remaining	<table border="0"> <tr> <td style="padding-right: 5px;">In Service</td> <td style="text-align: center;">●</td> <td style="border: 1px solid black; padding: 5px; text-align: center;">-----</td> <td style="text-align: center;">●</td> <td style="padding-left: 5px;">Flow</td> </tr> <tr> <td>Program</td> <td style="text-align: center;">○</td> <td></td> <td style="text-align: center;">○</td> <td>P.M.</td> </tr> </table>	In Service	●	-----	●	Flow	Program	○		○	P.M.
In Service	●	-----	●	Flow							
Program	○		○	P.M.							
Tank #1 in Service	<table border="0"> <tr> <td style="padding-right: 5px;">In Service</td> <td style="text-align: center;">●</td> <td style="border: 1px solid black; padding: 5px; text-align: center;">-U1-</td> <td style="text-align: center;">●</td> <td style="padding-left: 5px;">Flow</td> </tr> <tr> <td>Program</td> <td style="text-align: center;">○</td> <td></td> <td style="text-align: center;">○</td> <td>P.M.</td> </tr> </table>	In Service	●	-U1-	●	Flow	Program	○		○	P.M.
In Service	●	-U1-	●	Flow							
Program	○		○	P.M.							

Set Time of Day



When the valve is In Service, press either the Set Up or Set Down button once to adjust the Time Of Day by one digit. Press and hold to adjust by several digits.

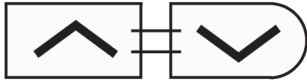
Start an Extra Regeneration Cycle



Press the Extra Regeneration button to start an extra regeneration tonight. Press and hold the Extra Regeneration button for 5 seconds to start an Extra Regeneration immediately.

Set Control Programming

1. Press and hold both the Set Up and Set Down buttons for 5 seconds.



2. Set the Treated Water Capacity. Using the Set Up or Set Down buttons, set the amount of treated water to flow through the unit before a regeneration is required.



3. Press the Extra Regeneration button.



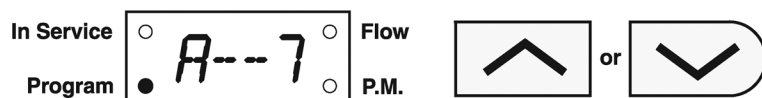
4. Set the Regeneration Time. Use the Set Up or Set Down buttons to set the desired time of day for regeneration to occur.



5. Press the Extra Regeneration button.



6. Set Regeneration Day Override. Use the Set Up or Set Down buttons to set the maximum number of days before a regeneration cycle must occur.



7. Press the Extra Regeneration button to exit the program.*



***NOTE: If setting up the system for the first time, perform the following Fast Cycle Regeneration:**

1. Press the Extra Regeneration button for 5 seconds to force an extra regeneration immediately.
2. Once the valve reaches Regen Step #1, let water run to the drain for approximately 5 minutes.
3. Press the Extra Regeneration button once to advance valve to Regeneration Step #2.
4. Press the Extra Regeneration button once to advance valve to Regeneration Step #3 (if active).
5. Press the Extra Regeneration button once to advance valve to Regeneration Step #4 (if active).
6. Press the Extra Regeneration button once to advance valve to Regeneration Step #5 (if active).
7. Press the Extra Regeneration button once more to advance the valve back to service.

Timer Operation

Immediate Regeneration Valves With Days Between Regeneration Override Set

When the valve reaches its set Days Since Regeneration Override value, a regeneration cycle initiates immediately. This event occurs regardless of the Volume Remaining display having reached zero gallons.

Delayed Regeneration Valves With Days Between Regeneration Override Set

When the valve reaches its set Days Since Regeneration Override value, a regeneration cycle initiates at the preset regeneration time. This event occurs regardless of the Volume Remaining display having reached zero gallons.

Control Operation During Regeneration

During regeneration, the control displays a special regeneration display. In this display, the control shows the current regeneration step number the valve is advancing to, or has reached, and the time remaining in that step. The step number that displays flashes until the valve completes driving to this regeneration step position. Once all regeneration steps are complete the valve returns to service and resumes normal operation.

Example:

**Less Than 6 Minutes
Remaining in Regen
Step #1**

Service	○	1--5	○	Flow
Program	○		○	P.M.

Pressing the Extra Cycle button during a regeneration cycle immediately advances the valve to the next cycle step position and resumes normal step timing.

Control Operation During Programming

The control only enters the Program Mode with the valve in service. While in the Program Mode, the control continues to operate normally monitoring water usage and keeping all displays up to date. Control programming is stored in memory permanently, eliminating the need for battery backup power.

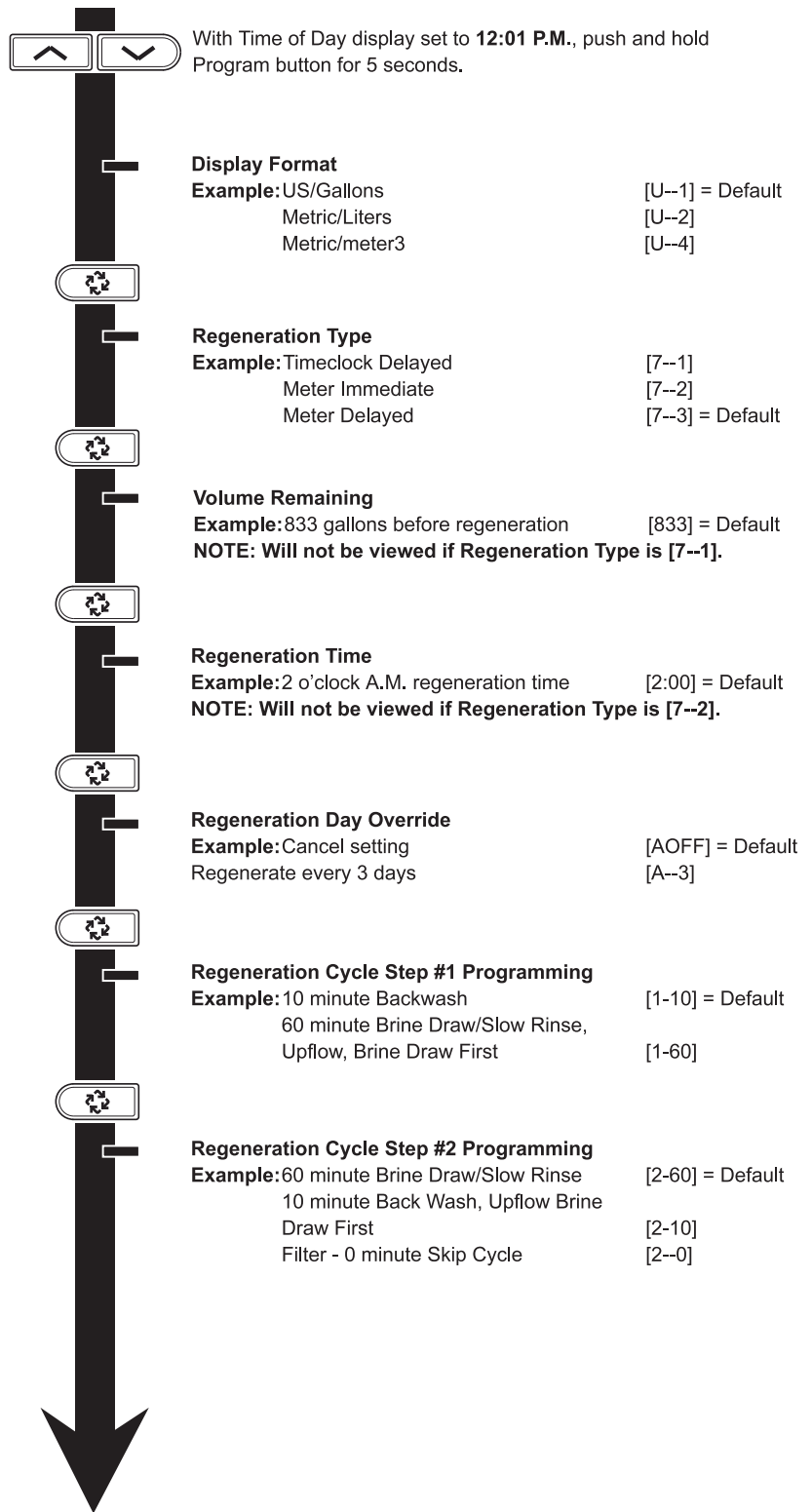
Control Operation During A Power Failure

During a power failure all control displays and programming are stored for use upon power re-application. The control retains these values for years, if necessary, without loss. The control is fully inoperative and any calls for regeneration are delayed. Upon reapplication of power, the control resumes normal operation from the point that it was interrupted. An indication that a power outage has occurred is an inaccurate Time Of Day display.

Master Programming Mode Flow Chart

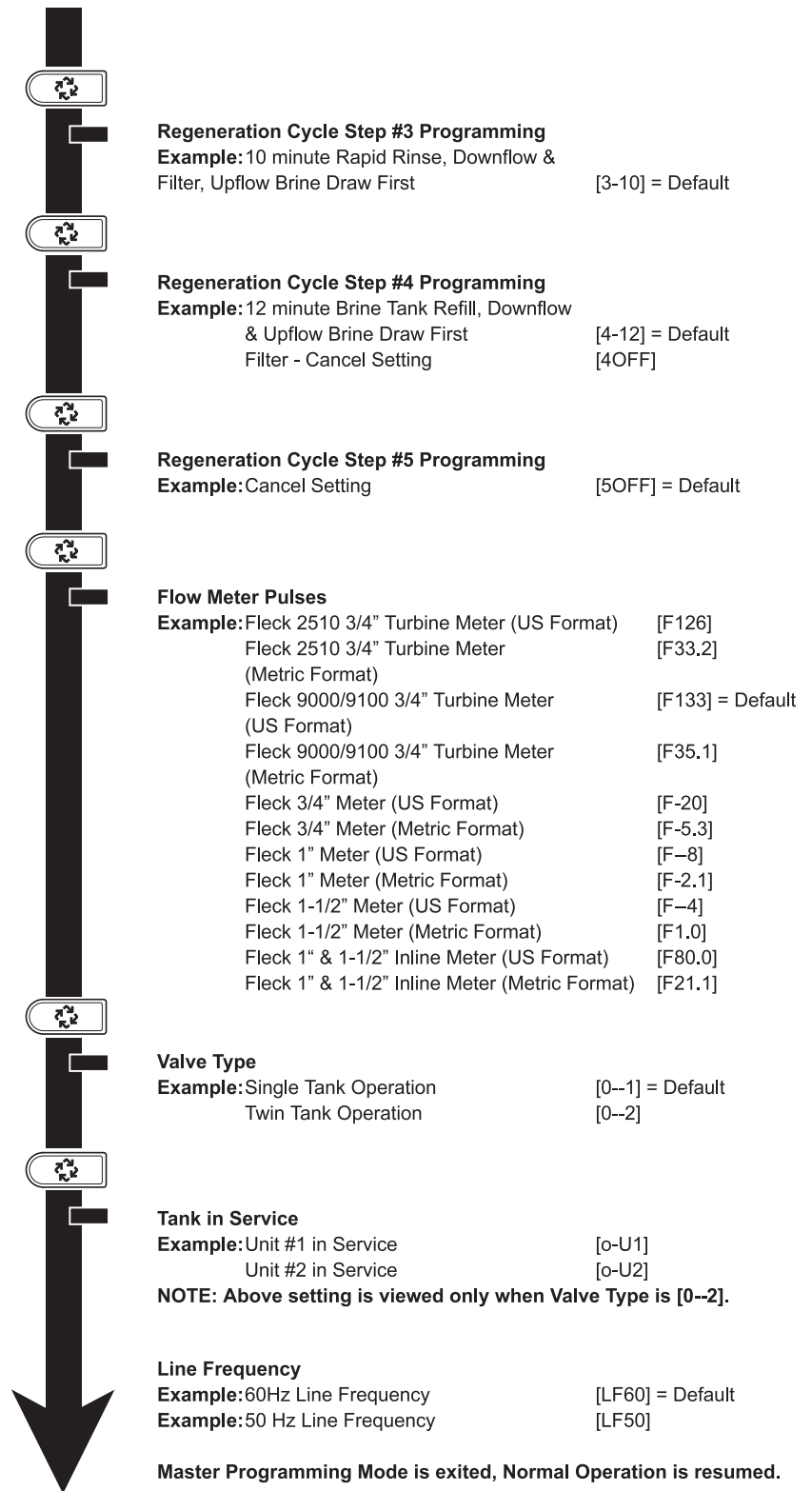
NOTE:

1. Set Time of Day display to **12:01 P.M.**
2. Press and hold the Set Up and Set Down buttons for 5 seconds.
3. Press the Extra Cycle button once per display until all displays are viewed and normal operation is resumed.
4. Option setting displays may be changed as required by pressing either the Set Up or Set Down button.
5. Depending on current programming, certain displays will not be able to be viewed or set.
6. Reference the programming instructions for a complete list of available settings.



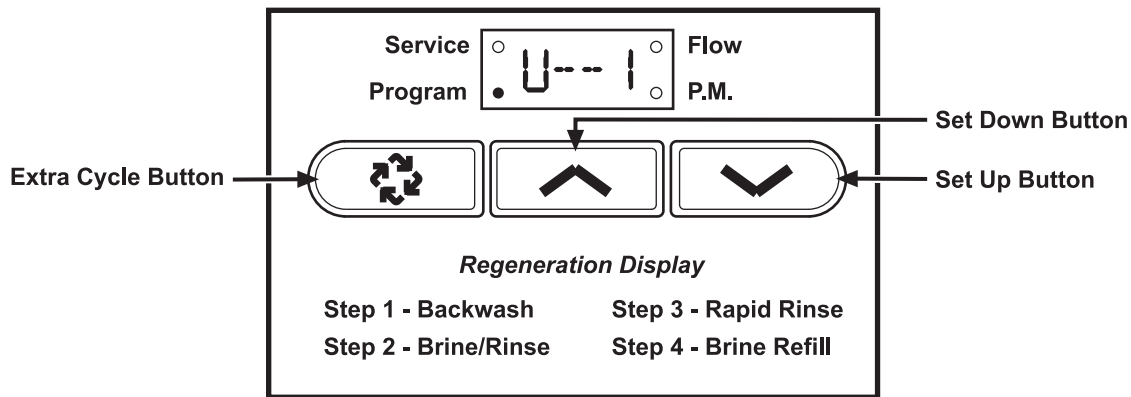
CAUTION: Before entering Master Programming, please contact your local professional water dealer.

Master Programming Mode Flow Chart



CAUTION: Before entering Master Programming, please contact your local professional water dealer.

Master Programming Mode



When the Master Programming Mode is entered, all available option setting displays may be viewed and set as needed. Depending on current option settings, some displays cannot be viewed or set.

Entering Master Programming Mode

Set the Time Of Day display to **12:01 P.M.** Press and hold the Set Up and Set Down buttons together until the Program Dot turns on (about 5 seconds). Depending on current option settings, some displays cannot be viewed or set.

Exiting Master Programming Mode

Press the Extra Cycle button once per display until all are viewed. The Program Mode is exited and normal operation resumes.

Resetting Permanent Programming Memory

There are two ways to reset the timer:

- Press and hold the Set Up and Set Down buttons for 25 seconds until the Time Of Day display resets to 12:00 P.M. All option settings are reset to default values. Control programming must be reset as necessary.
- Press and hold the Extra Cycle button while applying power. Release the Extra Cycle button. When the timer powers up, "P3.0" (the software version) will be displayed for 2 seconds on the LED display.

1. Display Format (Display Code U)

Press the Extra Cycle button. This display is used to set the desired display format. This option setting is identified by the "U" in the first digit. There are two possible settings:

US Format uses gallons for volume with a 12 hour timekeeping format. Regeneration timing is in minutes. Use the Set Up and Set Down buttons to adjust this value.

Example: [U - - 1]

Metric Format uses liters for volume and a 24 hour timekeeping format. Regeneration timing is in tenths of minutes. Use the Set Up and Set Down buttons to adjust this value.

Example: [U - - 2]

Cubic Metric Format uses cubic meters for volume and a 24 hour timekeeping format. Regeneration timing in tenths of minutes. Use the Set Up and Set Down buttons to adjust this value.

Example: [U - - 4]

CAUTION: Before entering Master Programming, please contact your local professional water dealer.

Master Programming Mode

2. Regeneration Type (Display Code 7)

Press the Extra Cycle button. Use this display to set the Regeneration Type. This option setting is identified by the number “7” in the first digit. There are three possible settings:

Timeclock Delayed

The control determines the day that a regeneration is required by the Regeneration Day Override setting (A). Once this day is reached, a regeneration cycle starts at the set Regeneration Time.

NOTE: The display will alternate between the “Time of Day” and “Days to Regeneration” when Timeclock Delayed is selected.

Example: [7 - - 1]

Meter Immediate

The control determines that regeneration is required when the available volume of treated water drops to zero. Regeneration begins immediately.

Example: [7 - - 2] This setting is typically used on the Twin Tank Control Valves.

Meter Delayed

The control determines that regeneration is required when the available volume of treated water drops to zero. Regeneration begins immediately at the set regeneration time. Use the Set Up and Set Down buttons to adjust this value.

Example: [7 - - 3]

3. Volume Remaining (No Display Code)

Press the Extra Cycle button. Use this display to set the amount of water (gallons/liters/cubic meters) that can be treated by the unit before a regeneration cycle is required. With Meter Delayed Regeneration Type set, it is necessary for the programmer to determine a reserve capacity and subtract that value from the calculated full capacity of the unit. This display cannot be viewed with Timeclock Regeneration Type set. Use the Set Up and Set Down buttons to adjust this value.

Range = t10.0 - t60.0 = 10,000 - 60,000 gallons

Range = t10.0 - t60.0 = 10,000 - 60,000 liters

Range = t10.0 - t60.0 = 10,000 - 60,000 cubic meters

4. Regeneration Time (Clock Display Without a Flashing Colon)

Press the Extra Cycle button. The next display that appears is the option setting for Regeneration Time. It is identified by a clock display without a flashing colon. Set the desired time of day that a regeneration may occur. This display cannot be viewed with Meter Immediate Regeneration Type set. Use the Set Up and Set Down buttons to adjust this value.

Range = Anytime

Example: 2 o'clock A.M. Regeneration Time — [2: 0 0] (A.M. Indicator Dot On)

CAUTION: Before entering Master Programming, please contact your local professional water dealer.

5. Regeneration Day Override (Display Code A)

Press the Extra Cycle button. The next display that appears is the option setting for Regeneration Time. It is identified by a clock display without a flashing colon. Set the desired time of day that a regeneration may occur. This display cannot be viewed with Meter Immediate Regeneration Type set. Use the Set Up and Set Down buttons to adjust this value.

- With Timeclock or Meter Delayed Regeneration Type selected, regeneration begins at the set regeneration time.
- With Meter Immediate Regeneration Type selected, regeneration begins at the same time of day that the last regeneration cycle was initiated. An OFF setting cancels this feature with all regeneration types except Timeclock Regeneration where it must be used. Use the Set Up and Set Down buttons to adjust this value.

Range = 1-99 (Timeclock Delayed)

Range = OFF, 1-99 (All Meter Regeneration Types)

Example: Override every 7 days — [A - - 7]

Cancel setting — [A O F F] (Meter Immediate or Delayed Regeneration Types Only)

6. Regeneration Cycle Step Programming (Display Code 1-5)

Press the Extra Cycle button. The next 2-6 displays that appear are part of a series of option settings used to program the Regeneration Cycle. Each display is used to set in minutes (or tenths of minutes for Metric). A step # turns on for the regeneration cycle step being programmed.

Range = OFF, 100-199 minutes (US Format)

Range = OFF, 100-199 minutes (Metric Format)

- Skip regeneration steps by setting the display to 0
- End a regeneration cycle by setting the step # after the last active step to OFF, as shown below:

Example: Regeneration Cycle Step #1, 8 minutes — [1 - - 8] (US Format)

Regeneration Cycle Step #2, skipped — [2 - - 0] (US Format)

Regeneration Cycle Step #3, 8.5 minutes — [3 - 8.5] (Both Metric Formats)

Regeneration Cycle Step #4, cancelled — [4 O F F] (All Format)

- Press the Extra Cycle button once per display to advance through Regeneration Cycle Step Programming.
- Use the Set Up and Set Down buttons to adjust this value.

CAUTION: Before entering Master Programming, please contact your local professional water dealer.

Master Programming Mode

7. Flow Meter Size (Display Code F)

Press the Extra Cycle button. The next display sets the flow meter size. Use this display to set the proper amount of pulses generated by the flow meter for each gallon of liter of water flow. This setting cannot be viewed with Timeclock Regeneration Type selected.

Range = 1-999 pulses (US Format)

Range = .1-99.9 pulses (Metric Format)

Examples:	[F 1 2 6]	3/4" Turbine Flow Meter used with the 2510SE (US Format)
	[F 3 3.2]	3/4" Turbine Flow Meter used with the 2510SE (Metric Format)
	[F 1 3 3]	3/4" Turbine Flow Meter used with the 9000SE (US Format)
	[F 3 5.1]	3/4" Turbine Flow Meter used with the 9000SE (Metric Format)
	[F - 2 0]	3/4" Paddle Wheel Flow Meter (US Format)
	[F - 5.3]	3/4" Paddle Wheel Flow Meter (Metric Format)
	[F - - 8]	1.0" Paddle Wheel Flow Meter (US Format)
	[F - 2.1]	1.0" Paddle Wheel Flow Meter (Metric Format)
	[F - - 4]	1-1/2" Paddle Wheel Flow Meter (US Format)
	[F 1.0]	1-1/2" Paddle Wheel Flow Meter (Metric Format)
	[F 80.0]	1" & 1-1/2" Inline Meter (US Format)
	[F 21.1]	1" & 1-1/2" Inline Meter (Metric Format)

— Use the Set Up and Set Down buttons to adjust this value.

8. Valve Type (Display Code o)

— Press the Extra Cycle button. Use this display to set the type of valve used with the control. This option setting is identified by the letter "o" in the first digit. When #2 is selected, the current Tank # in Service must be entered in the next display.

Example: [o - - 1] 2510, 2750 or 2850 Single Tank Valve Operation.

[o - - 2] 9000, 9100 or 9500 Twin Tanks Valve Operation.

[o - U 1] Unit #1 Tank in Service. (viewed only when set to [o - - 2])

— Use the Set Up and Set Down buttons to adjust this value.

9. Line Frequency (Display Code LF)

— Press the Extra Cycle button. Use this display to set the frequency of the power applied to the control. When properly set, all timekeeping functions remain accurate. This option setting is identified by the letters "LF" in the first two digits. There are two possible selections.

Example: [L F 5 0] 50Hz Line Frequency Operation.

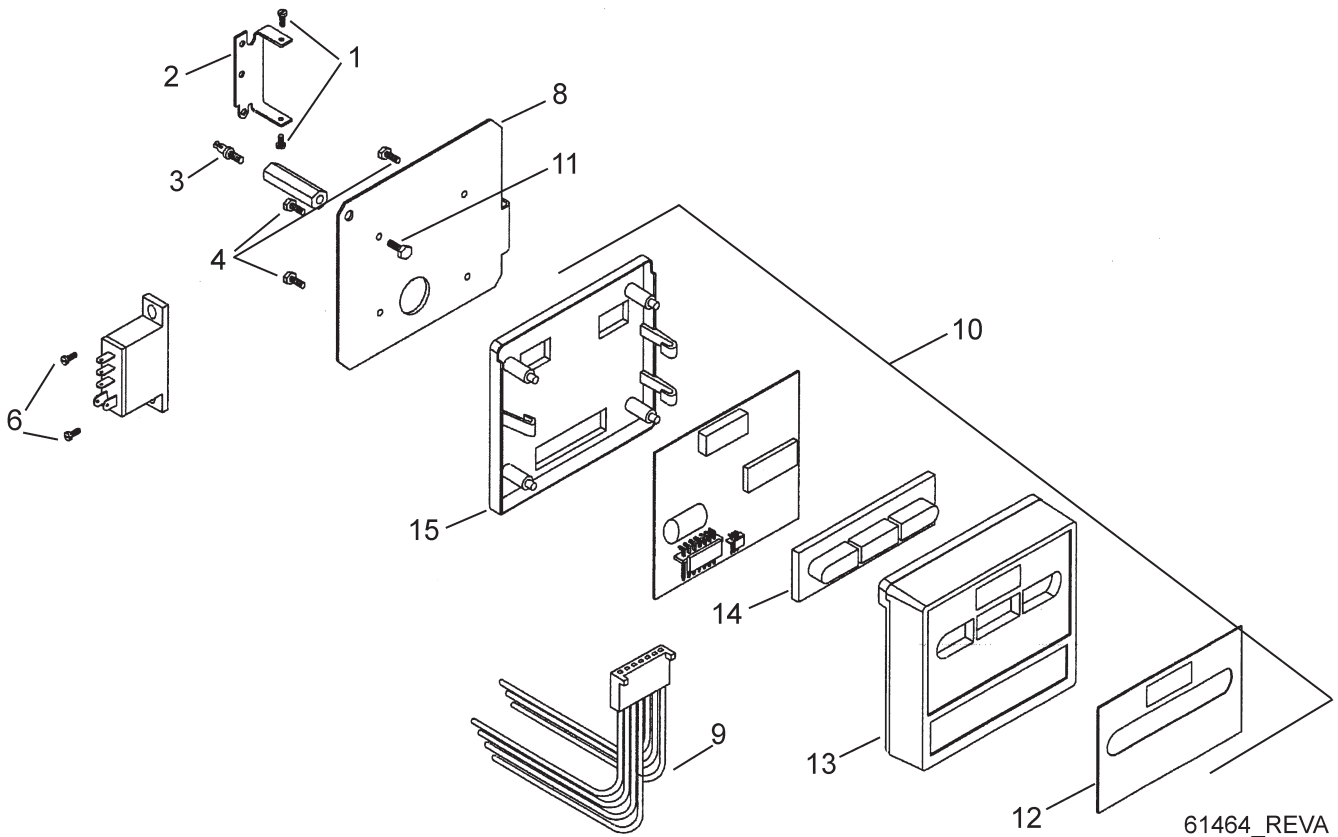
Example: [L F 6 0] 60Hz Line Frequency Operation.

— Use the Set Up and Set Down buttons to adjust this value.

— Press the Extra Cycle button once more to exit this programming mode.

CAUTION: Before entering Master Programming, please contact your local professional water dealer.

2510/2750/2850 Timer Assembly

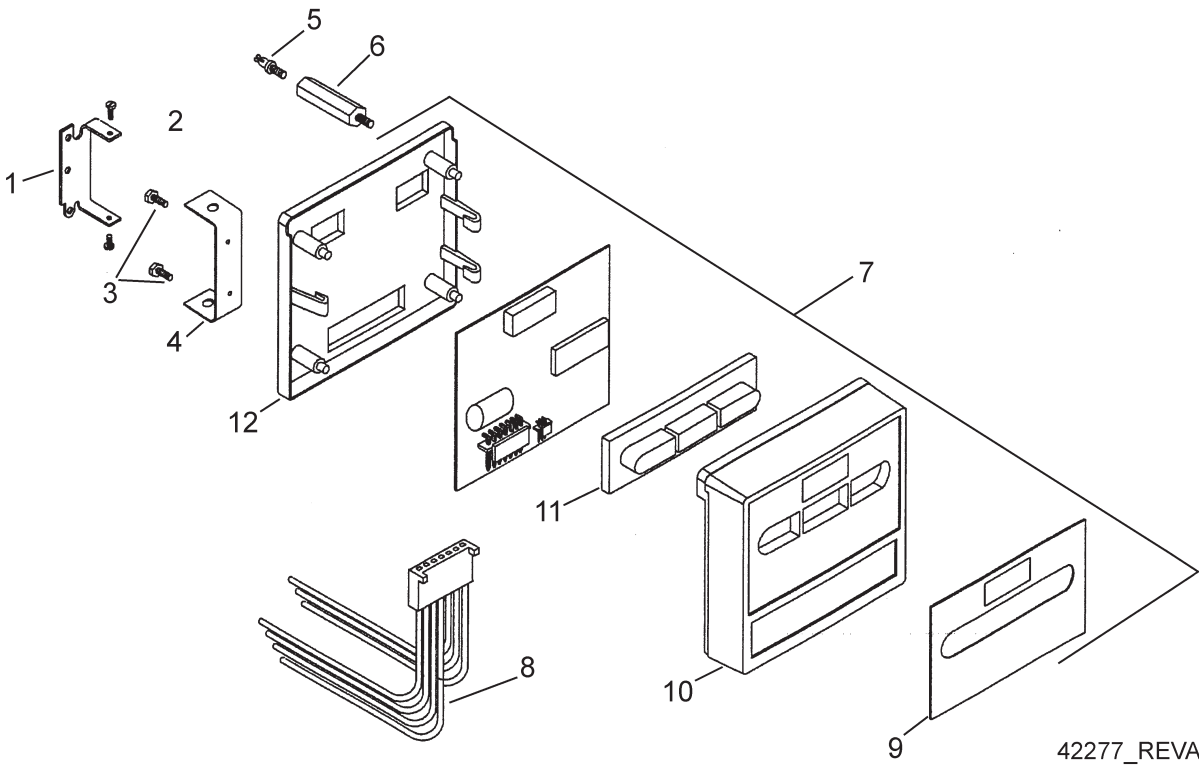


61464_REVA

Item No.	Quantity	Part No.	Description
1.....	2.....	11384	Screw, Phil, 6-32 x 1/4
2.....	1.....	13881	Bracket, Hinge Timer
3.....	1.....	14265.....	Clip, Spring
4.....	3.....	13296.....	Screw, Hex Wsh, 6-20 x 1/2
5.....	1.....	27172.....	Stand-Off, Timer, 2510SE, 2750SE
6.....	2.....	11384	Screw, Phil, 6-32 x 1/4
7.....	1.....	17749-00.....	Relay, 24VAC, SPDT
8.....	1.....	27168	Bracket, Timer, 2510SE/2750SE
9.....	1.....	40429.....	Harness, SE, Designer/Environmental
10.....	1.....	61464	Timer, SE, 2510/2750/9000, DF
11.....	1.....	21363.....	Screw, Hex Hd, M4 x 12 mm
12.....	1.....	19697-01.....	Label, Display, 5600SE
12A.....	1.....	27793.....	Label, Front, SE, D/F, Pictogram
13.....	1.....	19471-02.....	Cover, Front Panel, 5600SE, Black
14.....	1.....	40376.....	Button, Conductive Rubber
15.....	1.....	19889.....	Housing, Circuit Board

For Assembly Numbers, See the Back of this Manual

9000/9100/9500 Twin Tank Timer Assembly

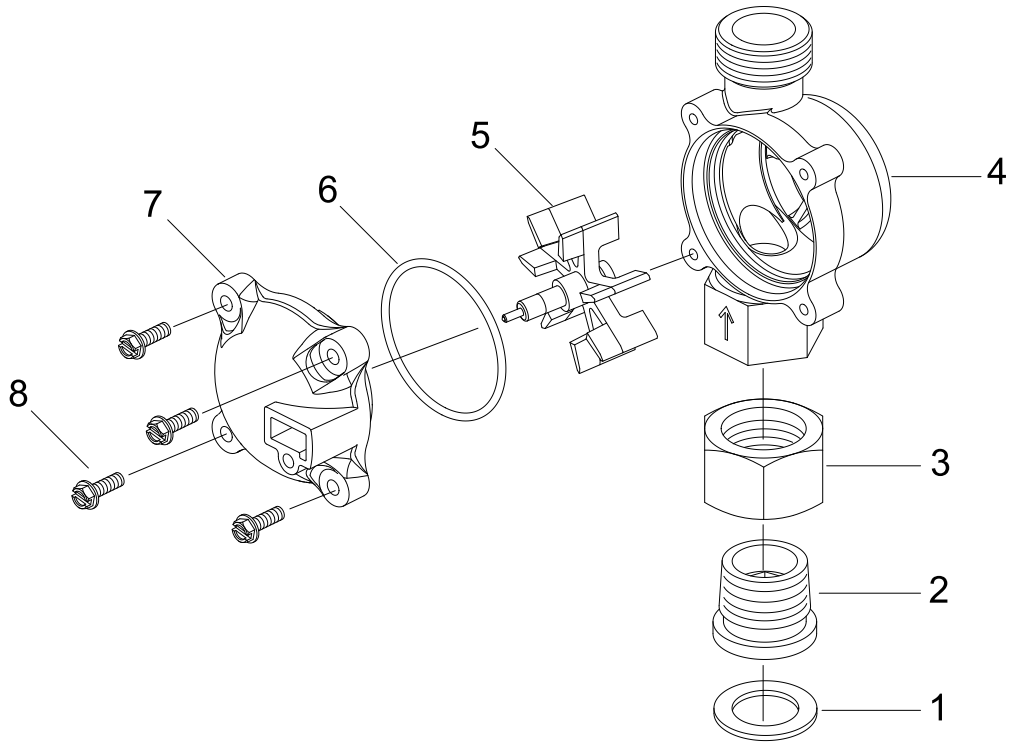


42277_REVA

Item No.	Quantity	Part No.	Description
1.....	1	13881	Bracket, Hinge Timer
2.....	2	11384	Screw, Phil, 6-32 x 1/4
3.....	2	13296	Screw, Hex Wsh, 6-20 x 1/2
4.....	1	41233	Bracket, Mounting, 9000SE Timer
5.....	1	14265	Clip, Spring
6.....	1	26983	Stand-Off, Timer, 9000SE, FE
7.....	1	61464	Timer, SE, 2510/2750/9000, D/F
8.....	1	19474-01	Harness, Power, 8500SE/4200SE
9.....	1	19697-01	Label, Display, 5600SE
9A	1	27793	Label, Front, SE, D/F, Pictogram
10.....	1	19471-02	Cover, Front Panel, 5600SE, Black
11.....	1	40376	Button, Conductive Rubber
12.....	1	19889	Housing, Circuit Board

For Assembly Numbers, See the Back of this Manual

3/4" Brass Paddle Meter Assembly

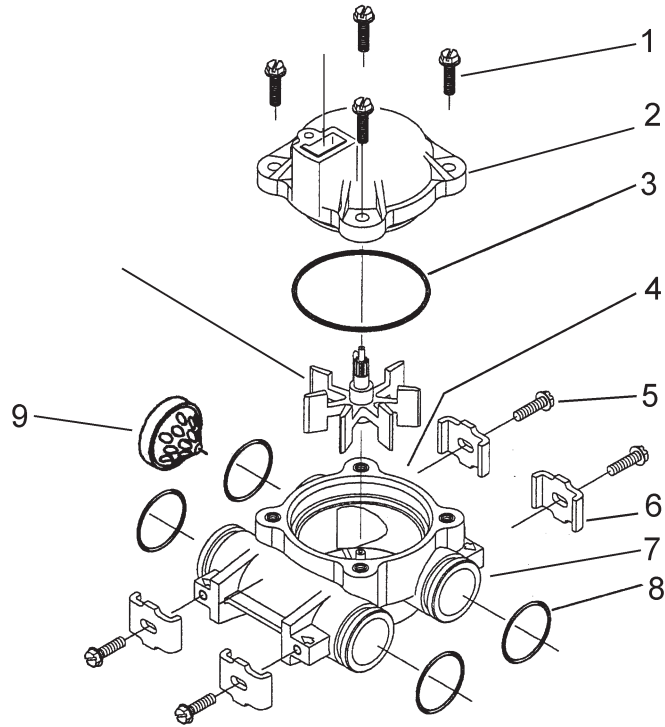


60618_REVA

Item No.	Quantity	Part No.	Description
1.....	1	11206	Gasket, Fitting
2.....	1	13942	Retainer, Nut
3.....	1	11207	Nut, Special, QC
4.....	1	13906	Body, Meter, 3/4"
5.....	1	13509	Impeller, Meter
		13509-01	Impeller, Celcon
6.....	1	13847	O-ring, -137 Std/560CD, Meter
7.....	1	14716	Meter Cap Assy, ET/NT
8.....	1	12473	Screw, Hex Wsh, 10-24 x 5/8
Not Shown		19121-08	Meter Cable Assy, NT, 35" w/Connector
		19121-09	Meter Cable Assy, NT, 99.5" w/Connector
		19121-10	Meter Cable Assy, NT, 303.5" w/Connector

For Assembly Numbers, See the Back of this Manual

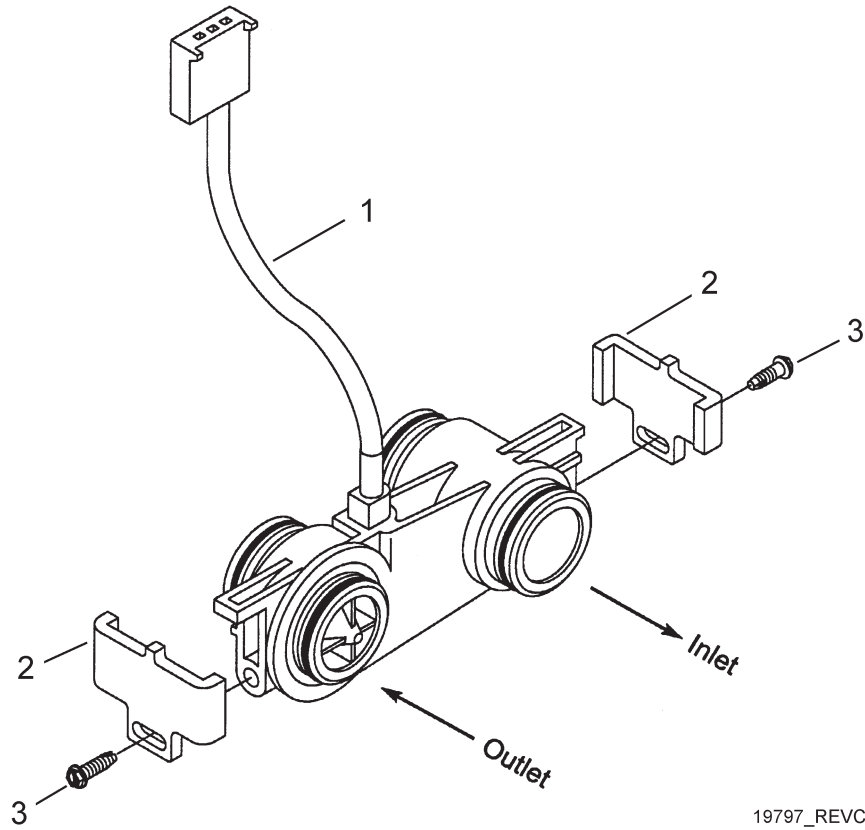
3/4" Plastic Paddle Meter Assembly



Item No.	Quantity	Part No.	Description
1.....	4	12473	Screw, Hex Wsh, 10-24 x 5/8
2.....	1	14716	Meter Cap Assy, Elec, Plas, Pdl
3.....	1	13847	O-ring, -137, Std/560CD, Meter
4.....	1	13509	Impeller, Meter
5.....	4	13314	Screw, Slot Ind Hex, 8-18 x .60
6.....	4	13255	Clip, Mounting
7.....	1	13821	Body, Meter, 5600
8.....	4	13305	O-ring, -119
9.....	1	14613	Flow Straightener

For Assembly Numbers, See the Back of this Manual

3/4" Plastic Turbine Meter Assembly

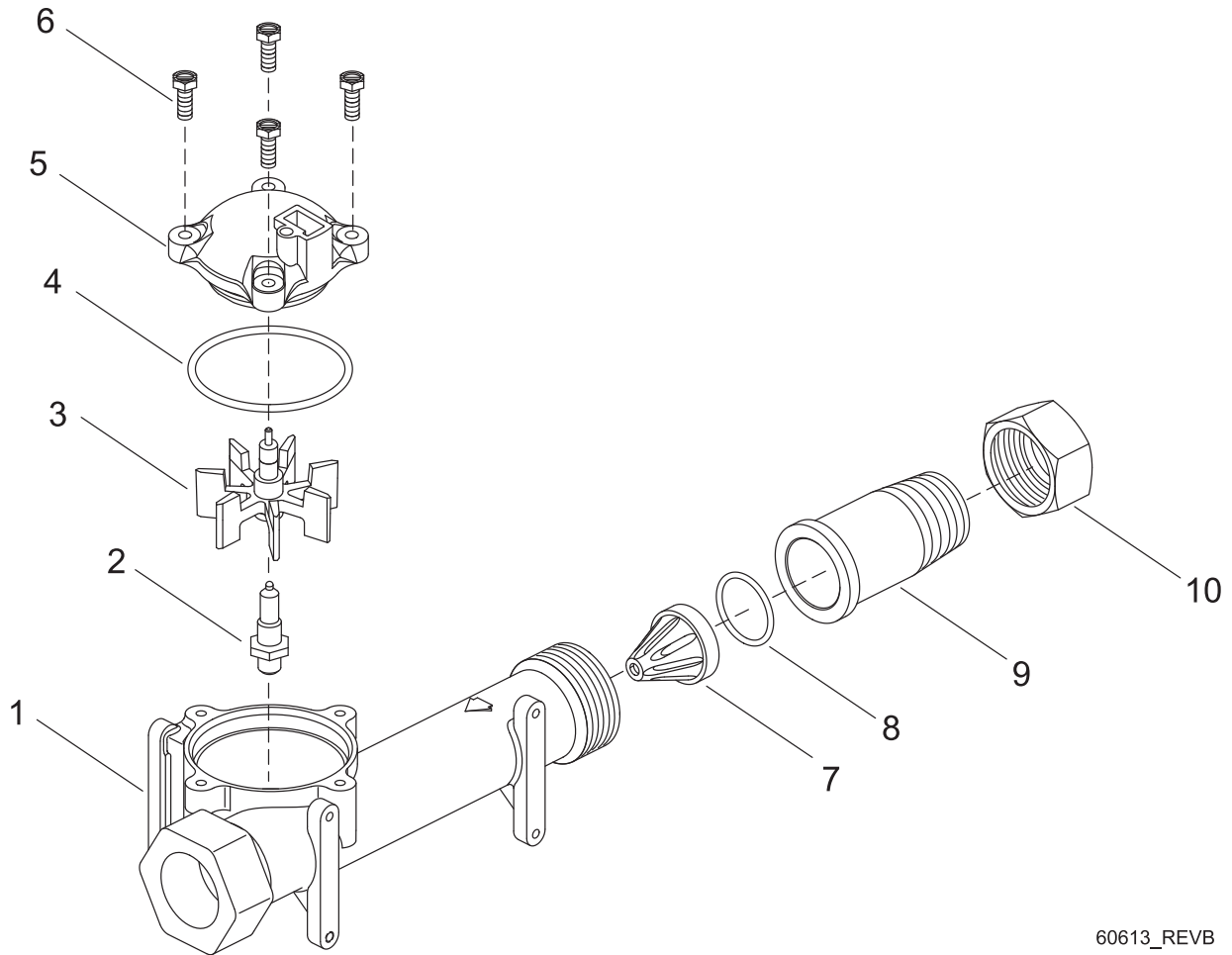


19797_REVC

Item No.	Quantity	Part No.	Description
1.....	1.....	19791-01.....	Meter Cable Assy, Turbine/SE
2.....	2.....	19569.....	Clip, Flow Meter
3.....	2.....	13314.....	Screw, Slot Ind Hex, 8-18 x .60

For Assembly Numbers, See the Back of this Manual

1" Brass Paddle Meter Assembly

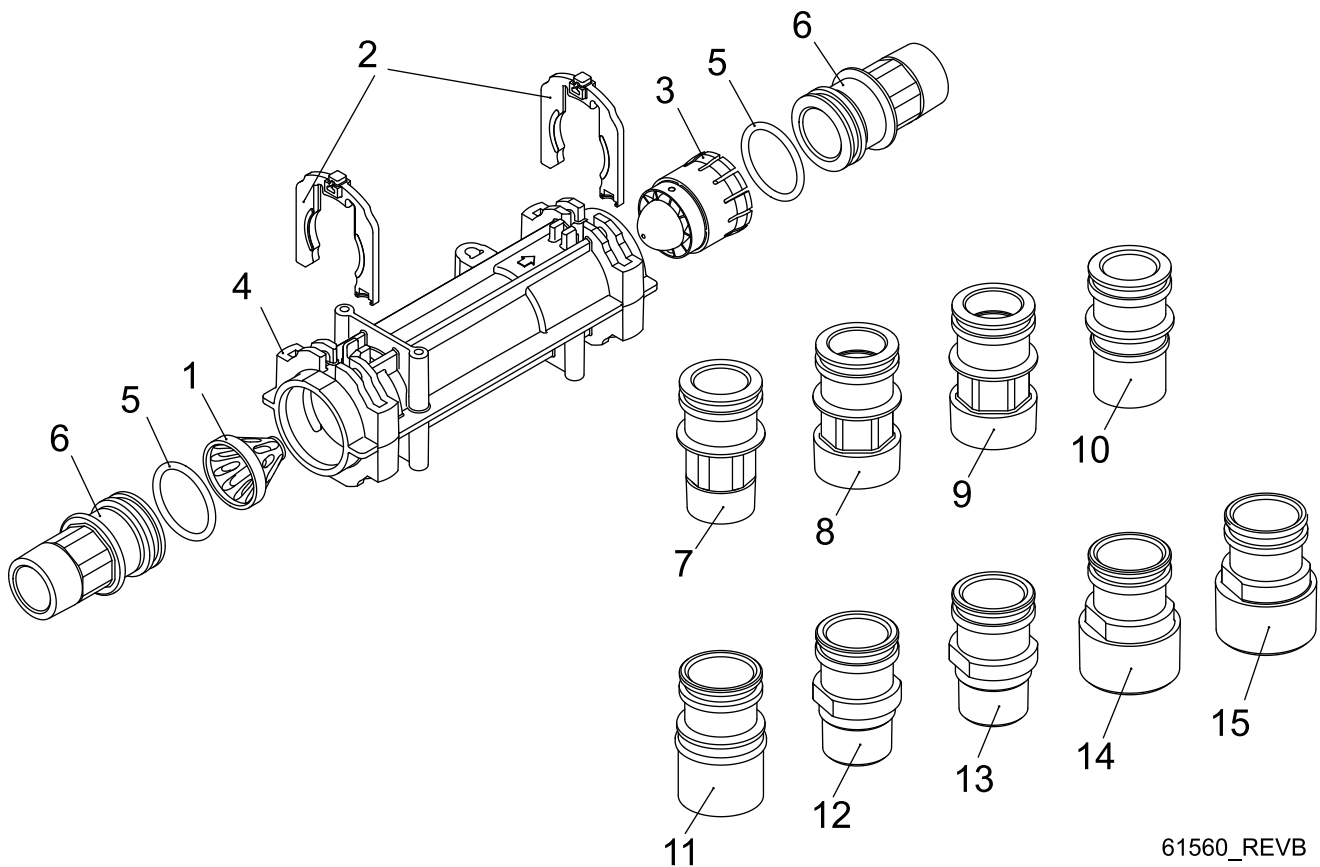


60613_REVB

Item No.	Quantity	Part No.	Description
1.....	1	14959	Body, Meter, 2750
2.....	1	13882	Post, Meter Impeller
3.....	1	13509	Impeller, Meter
4.....	1	13847	O-ring, -137, Std/560CD, Meter
5.....	1	14716	Meter Cap Assy, ET/NT
6.....	4	12112	Screw, Hex Hd Mach, 10-24 x 1/2
7.....	1	14960	Flow Straightener, 1"
8.....	1	13287	O-ring, -123
9.....	1	14961	Fitting, 1" Quick Connector
10.....	1	14962	Nut, 1" Meter, Q/C

For Assembly Numbers, See the Back of this Manual

Inline Plastic Meter Assembly

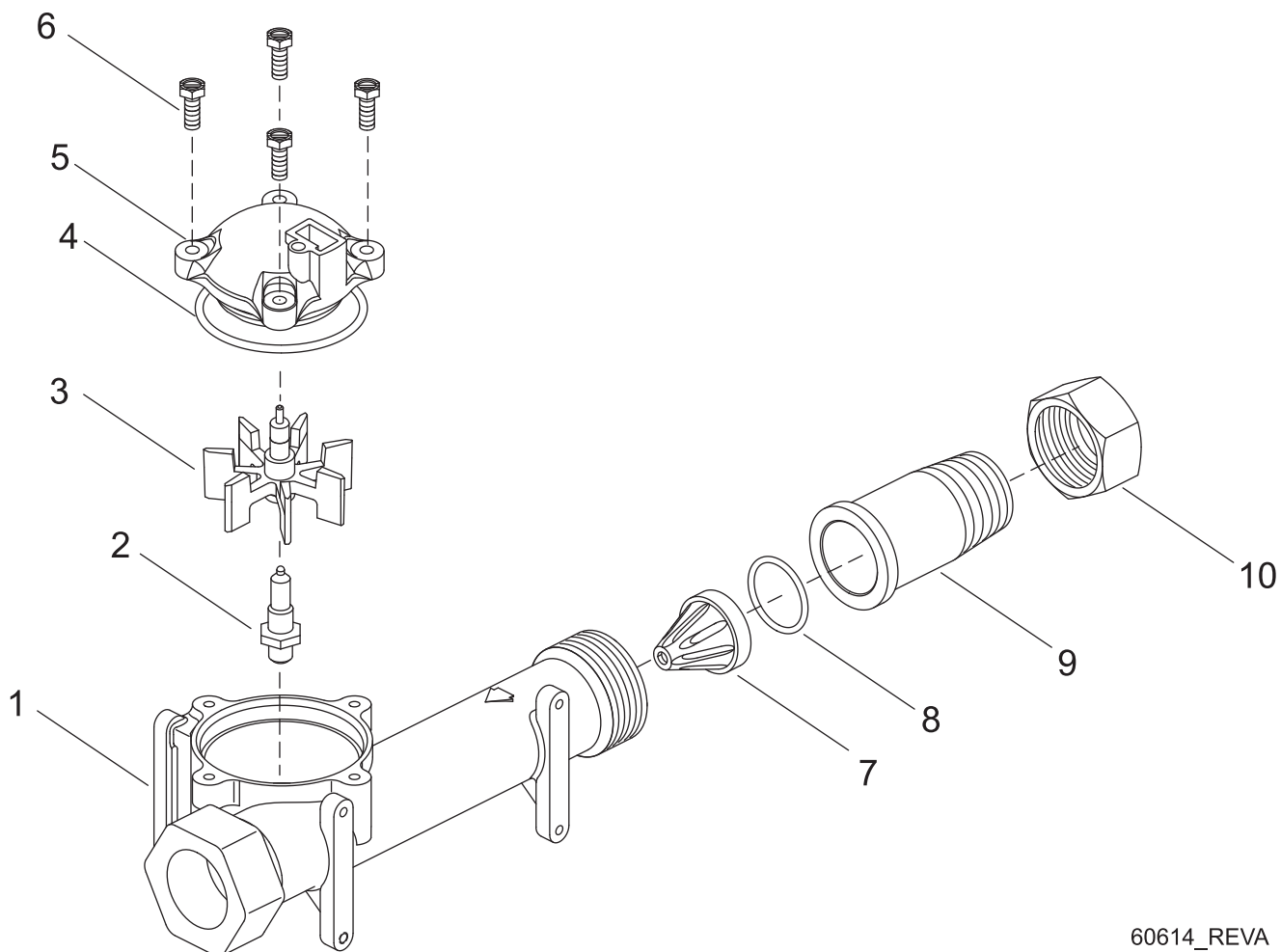


61560_REVB

Item No.	Quantity	Part No.	Description
1	1	17542	Flow Straightener
2	2	40576	Clip, H, Plastic, 7000
3	1	40577	Turbine Meter Assy, 7000
4	1	41555	Body, Remote Meter
5	2	40951	O-ring, -220
6	2	40563	Connector, 1" NPT, 7000
7	2	40563-10	Connector, 1" BSP, 7000
8	2	40565	Connector, 1 1/4" NPT, 7000
9	2	40565-10	Connector, 1 1/4" BSP, 7000
10	2	41242	Connector, 1" & 1 1/4" Sweat
11	2	41243	Connector, 1 1/4 & 1 1/2" Sweat
12	2	41596	Connector, Brass, 1" NPT
13	2	41596-10	Connector, Brass, 1" BSP
14	2	41597	Connector, Brass, 1 1/2" NPT
15	2	41597-10	Connector, Brass, 1 1/2" BSP

For Assembly Numbers, See the Back of this Manual

1 1/2" Brass Paddle Meter Assembly

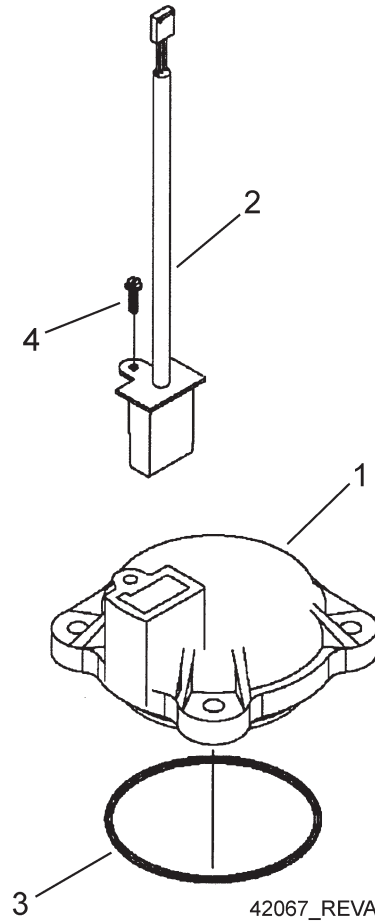


60614_REVA

Item No.	Quantity	Part No.	Description
1.....	1.....	17569.....	Body, Meter, 2850/9500
2.....	1.....	13882.....	Post, Meter Impeller
3.....	1.....	13509.....	Impeller, Meter
4.....	1.....	13847.....	O-ring, -137, Std/560CD, Meter
5.....	1.....	14716.....	Meter Cap Assy, ET/NT
6.....	4.....	12112.....	Screw, Hex Hd Mach, 10-24 x 1/2
7.....	1.....	17542.....	Flow Straightener, 1 1/2"
8.....	1.....	12733.....	O-ring, -132
9.....	1.....	17544.....	Fitting, 1 1/2" Quick Connector
10.....	1.....	17543.....	Nut, 1 1/2", QC

For Assembly Numbers, See the Back of this Manual

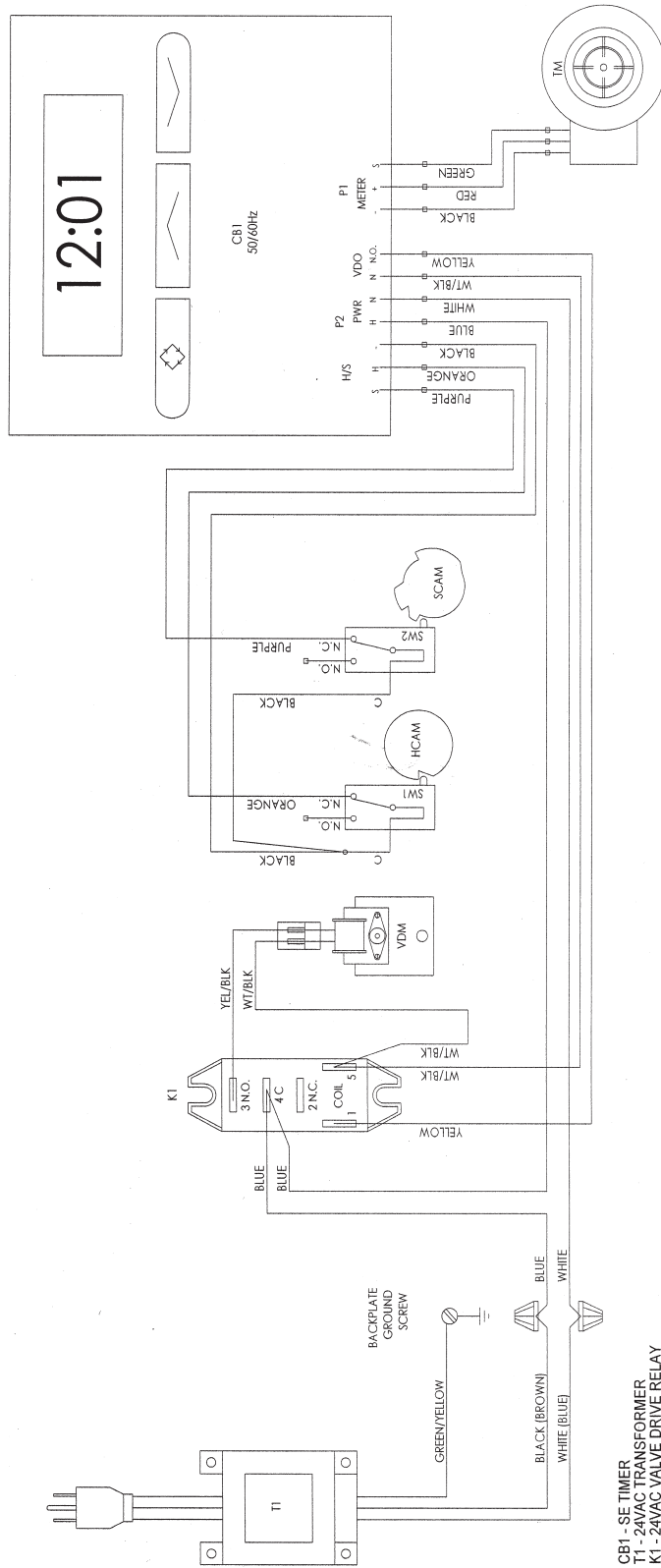
3/4", 1" or 1 1/2" Paddle Wheel Meter Cap Assembly



Item No.	Quantity	Part No.	Description
1.....	1.....	14716.....	Meter Cap Assy, ET/NT
2.....	1.....	19121-01.....	Meter Cable Assy, SE, Paddle 6600/6700
3.....	1.....	13847.....	O-ring, -137, Std/560CD, Meter
4.....	1.....	17798.....	Screw, Slot Hex Wsh Hd

For Assembly Numbers, See the Back of this Manual

2510SE Wiring Diagram

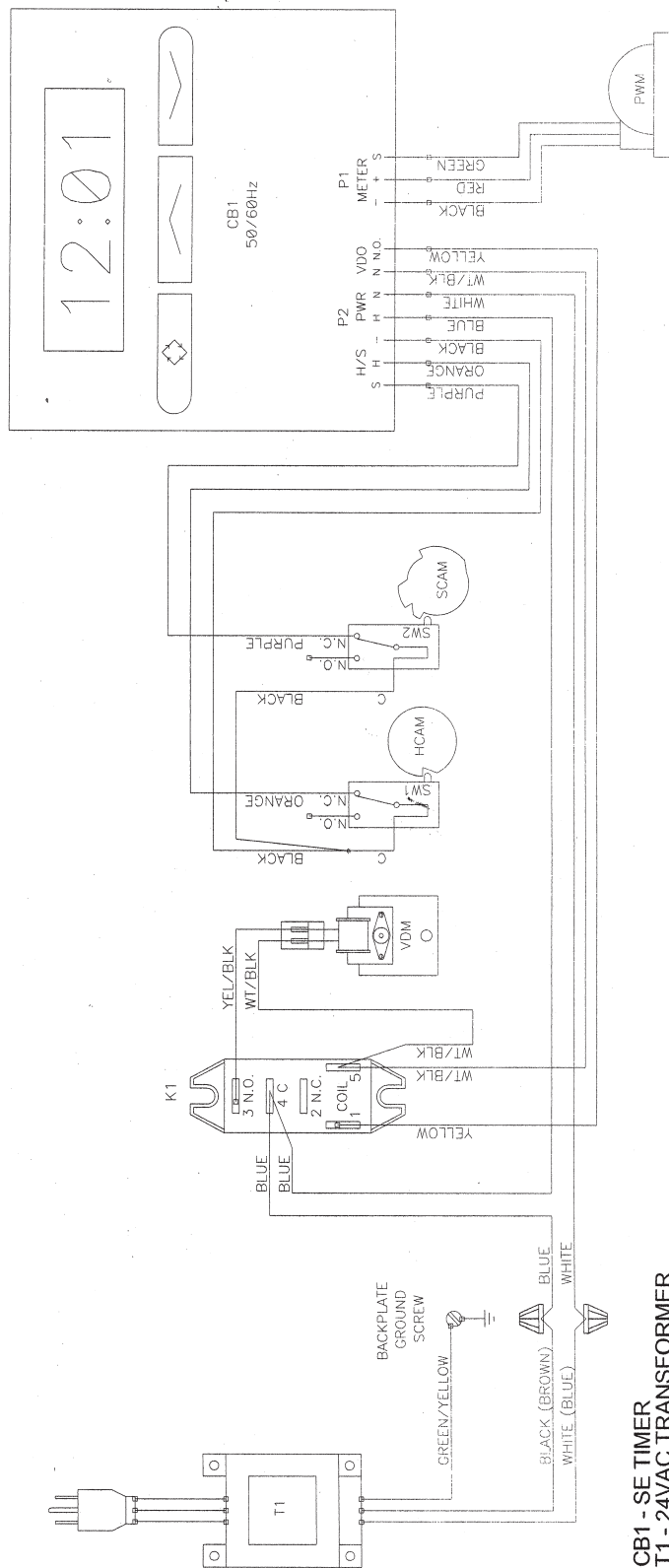


- CB1 - SE TIMER
- T1 - 24VAC TRANSFORMER
- K1 - 24VAC VALVE DRIVE RELAY
- TM - 3/4" TURBINE FLOW METER (OPTIONAL)
- VDM - VALVE DRIVE MOTOR
- SW1 - VALVE HOMING SWITCH
- SW2 - VALVE STEP SWITCH
- HCAM - VALVE HOMING CAM
- SCAM - VALVE STEP CAM

NOTE:
 1. DEPENDING ON APPLICATION, VALVE STEP CAM APPEARANCE WILL VARY.
 2. REGARDLESS OF CAM TYPE USED, WIRING TO SWITCHES SW1 AND SW2 WILL REMAIN AS SHOWN.
 3. VALVE SHOWN IN SERVICE POSITION.

40528_REVD

2750SE/2850SE Wiring Diagram

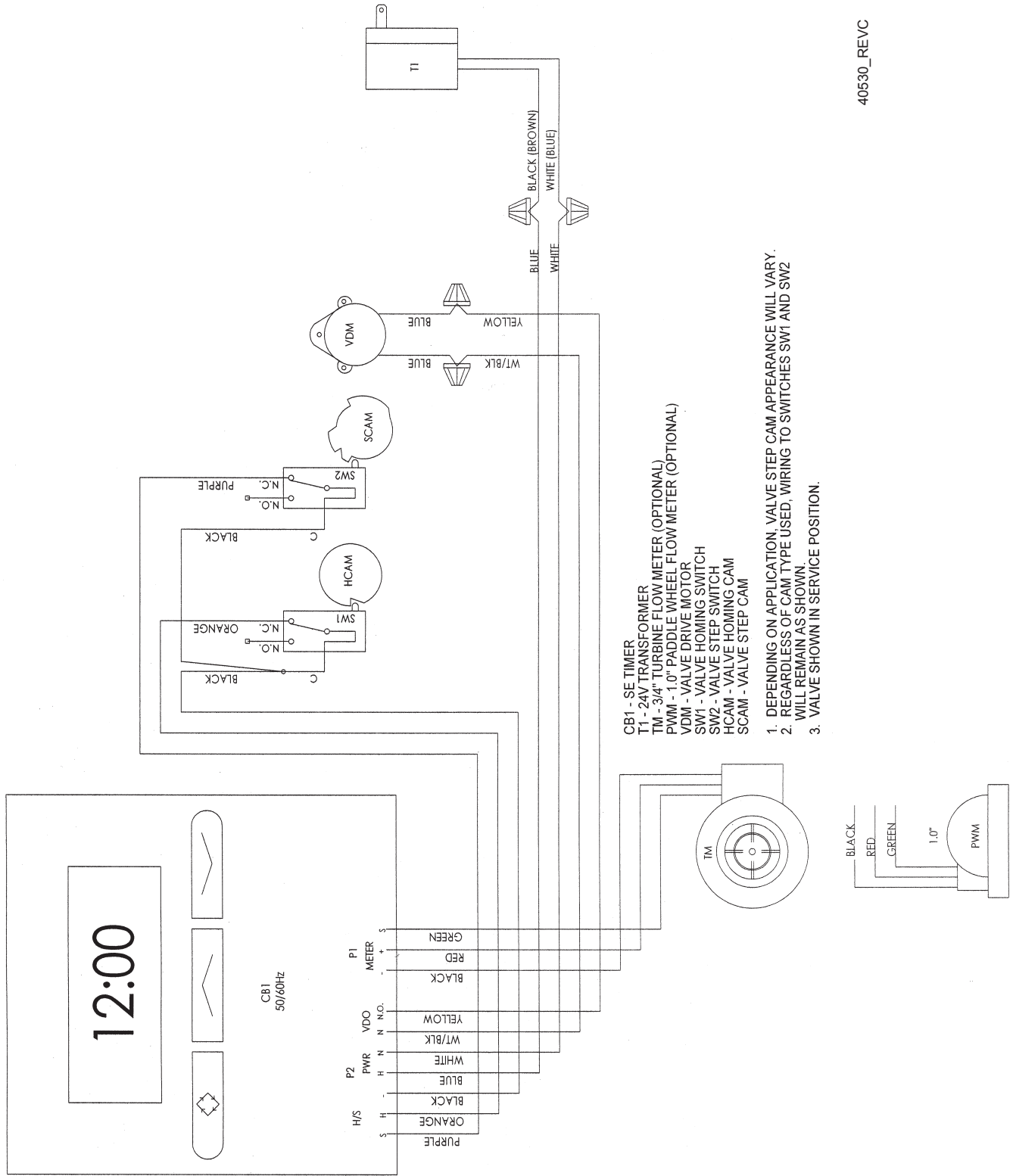


40529_REVD

- CB1 - SE TIMER
- T1 - 24VAC TRANSFORMER
- K1 - 24VAC VALVE DRIVE RELAY
- PWM - 1.0" OR 1.5" PADDLE WHEEL FLOW METER (OPTIONAL)
- VDM - VALVE DRIVE MOTOR
- SW1 - VALVE HOMING SWITCH
- SW2 - VALVE STEP SWITCH
- HCAM - VALVE HOMING CAM
- SCAM - VALVE STEP CAM

NOTE:
 1. DEPENDING ON APPLICATION, VALVE STEP CAM APPEARANCE WILL VARY.
 2. REGARDLESS OF CAM TYPE USED, WIRING TO SWITCHES SW1 AND SW2 WILL REMAIN AS SHOWN.
 3. VALVE SHOWN IN SERVICE POSITION.

9000/9100/9500 Wiring Diagram



40530_REVC

Troubleshooting - Timer

Error Codes

Note: Error codes appear on the In Service display.

Error Code	Probable Cause	Recover and Resetting
[Err 0]	Drive motor is stalled.	Unplug the unit from the power source. When power is restored to the unit, the Err _ display code clears. If the condition causing the error has not been resolved the Err _ code reappears in the four digit display. Do not attempt to troubleshoot this problem any further.
[Err 1]	Drive motor is running continuously.	
[Err 2]	There have been more than 99 days since the last regeneration.	Regeneration must occur for the unit to recover, the display to clear and the valve to function normally.

Service Assemblies

Meter:

60086-50 Meter Assy, 3/4", Electronic 2510/6600/6700
60613 Meter Assy, 2750 Electronic 1"
60613-20 Meter Assy, 2750, Electronic 1" BSP/Metric
60613NP Meter Assy, 2750, Electronic 1" Nickel Plated
60614 Meter Assy, 2850/9500, Electronic 1 1/2" Meter
60614NP Meter Assy, 2850/9500, Electronic 1 1/2" Meter, NP
60618 Meter Assy, Electronic, 3/4"
60619-20 Meter Assy, 1 1/2" Elect BSP/Metric
60626 Meter Assy, Turbine, Electronic 3/4" wit Clips and Screws
60626-01 Meter Assy, Turbine, ET 3/4" w/Clips, Screws, Mtr/Cable
61560-01 Meter Assy, In-Line, w/1" NPT Plastic Connector
61560-02 Meter Assy, In-Line, w/1" BSP Plastic Connector
61560-07 Meter Assy, In-Line, w/1" NPT Brass Connector
61560-08 Meter Assy, In-Line, w/1" BSP Brass Connector
61560-05 Meter Assy, In-Line, w/1" I.D. & 1 1/4" O.D. Sweat Connector
61560-09 Meter Assy, In-Line, w/ 1 1/2" NPT Brass Connector
61560-10 Meter Assy, In-Line, w/ 1 1/2" BSP Brass Connector

